

TPC-1261H

AMD LX800 Touch Panel Computer with 12.1" SVGA TFT LCD



Features

- AMD LX800 processor on board
- 12.1" SVGA TFT LCD
- Super slim and compact design with Al-Mg housing
- Fanless cooling system
- NEMA4/IP65 compliant front panel
- Supports Microsoft® Windows® XP/CE and WinXPe
- Automatic data flow control RS-485

Introduction

With a high quality TFT LCD display, TPC-1261H is designed with the AMD LX800 processor as its core. The LX800 has low power consumption 500 MHz operating frequency. This system is fanless although the kernel is powerful. In addition, spindle-free storage makes the TPC-1261H a durable and reliable platform.

For applications where spindle-free storage is not critical, a fast-access HDD module can be used. It also provides a PCI-104 expansion slot for TPC-1270H-C1E.

Specifications

General

- **BIOS** Award® 4 MB
- **Certifications** BSMI, CCC, CE, FCC, UL
- **Cooling System** Fanless design
- **Dimensions (W x H x D)** 311 x 237 x 50 mm (12.24" x 9.33" x 1.97")
- **Enclosure** Al-Mg and ABS
- **Mounting** Desktop, swing arm or wall (with mounting kit)
- **OS Support** Microsoft Windows XP/CE and WinXPe
- **Power Consumption** 60 W
- **Power Input** 18 ~ 32 V_{DC}
- **Watchdog Timer** 1 sec (system)
- **Weight (Net)** 2.2 kg (4.85 lb)

System Hardware

- **CPU** AMD LX800 500 MHz
- **Expansion Slots** 1 x CompactFlash® slot
1 x PCI-104
- **Graphics Controller** AMD LX800 (Internal)
- **Keyboard/Mouse Ports** 1 x PS/2
- **LAN** 1 x 10/100Base-T
- **Memory** 256 MB DDR SDRAM (up to 1 GB DDR SDRAM)
- **Parallel Ports** 1 x Parallel Port
- **Serial Ports** 3 x RS-232 and 1 x RS-232/485/422
- **Storage** 1 x CompactFlash card, or
1 x 2.5" HDD (optional)
- **USB Ports** 2 x USB 2.0

LCD Display

- **Backlight Life** 50,000 hrs
- **Contrast Ratio** 300:1
- **Display Size** 12.1"
- **Display Type** SVGA TFT LCD
- **Luminance cd/m²** 340
- **Max. Colors** 262 K
- **Max. Resolution** 800 x 600
- **Viewing Angle (H/V)** 100/60

Touchscreen

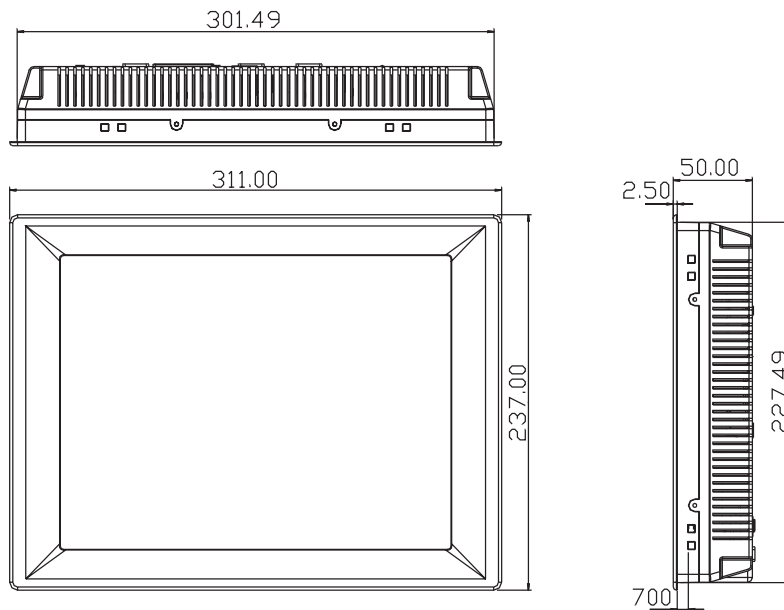
- **Lifespan** 1 million touches at single point
- **Light Transmission** Above 75%
- **Pixel Pitch (H x V)** 0.3075 x 0.3075 mm
- **Resolution** 1024 x 1024
- **Type** 8-wire, analog resistive

Environment

- **Humidity** 10 ~ 95% RH @ 40° C, non-condensing
- **Ingress Protection** Front panel: NEMA4, IP65
- **Operating Temperature** 0 ~ 50° C (32 ~ 122° F)
- **Storage Temperature** -20 ~ 70° C (-4 ~ 158° F)
- **Vibration Protection** With CompactFlash: 2 grms (5 ~ 500 Hz)
With HDD: 1 grms (5 ~ 500 Hz)
(Operating, random vibration)

Dimensions

Unit: mm



Ordering Information

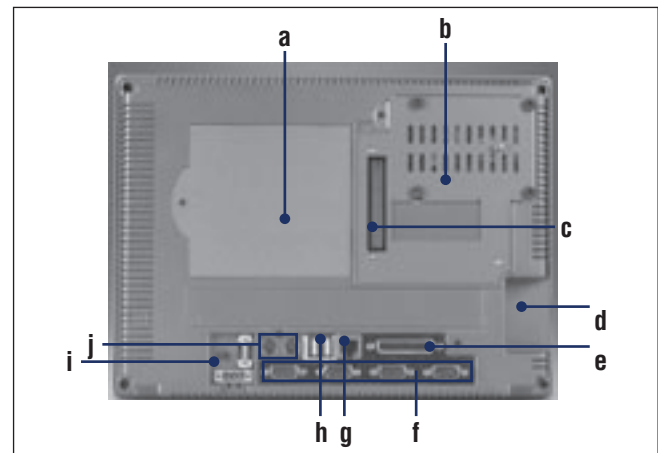
- **TPC-1261H-A1E** 12.1" TFT LCD Display TPC with AMD LX800 500 MHz CPU and 256 MB DDR SDRAM

Accessories

- **TPC-1260 STAND** TPC-1261H desktop stand
- **TPC-1260 WALLMT** TPC-1261H wallmount kit

Rear View

TPC-1261H



- | | |
|----------------------|------------------|
| a. CPU Card Cover | f. Serial Ports |
| b. 2.5" HDD | g. Ethernet Port |
| c. PCI-104 Slot | h. USB Ports |
| d. CompactFlash Slot | i. Power Switch |
| e. Parallel Port | j. PS/2 Ports |