

# PWS-8033M

## 3.7" VGA TFT LCD XScale® PXA270 Ultra Rugged Mobile Computer with Wi-Fi and GPS

NEW



### Features

- XScale PXA 270 624 Mhz core
- 3.7" VGA TFT LCD transfective technology
- IP67 rating guarantees total protection against dirt, dust and water
- Certified by MIL-STD-810F and MIL-STD-461E
- Standard 5-way controller and 4 function keys for one-hand operation
- High capacity Li-ion battery provides 8-hrs continuous operation
- Outdoor navigation application with 802.11b/g, bluetooth and GPS
- Supports Windows CE 5.0 or Windows Mobile 6.1
- Provides various mounting and enclosure accessories

### Introduction

The PWS-8033M is an ultra rugged mobile computer featuring a 3.7" transfective VGA TFT LCD display and XScale PXA 270 624 Mhz processor. With GPS, Wifi and built-in bluetooth, PWS-8033M provides a fully-functional communication device for any outdoor application. Certified by standard military grade MIL-STD-810F and MIL-STD-461E, PWS-8033M is constructed with an IP67 rating guaranteeing total protection against dirt, dust and water. Driven by a high capacity battery, PWS-8033M meets 5-foot drop capability, with an extreme operating temperature, providing mobility in any harsh environment. Advantech's PWS-8033M provides a strong device for reliable mobile communications in any environment.

### Specifications

#### General

- **Certifications** CCC, CE, FCC, CB, MIL-STD-461E, MIL-STD-810F
- **Cooling System** Fanless design
- **Dimensions (W x H x D)** 155 x 96 x 42 mm (6.1" x 3.78" x 1.65")
- **Enclosure** Full housing: Al-Mg with Li-ion battery  
AC Power Adapter: Universal AC 90 ~ 265 V, 47 ~ 63 Hz input; 12 V, 3.5 A output, stylus, sleeve with hand strap & shoulder strap
- **Optional Accessories** Cradle, Vehicle Mount, 4 in 1 Battery Charger
- **OS Support** Windows CE 5.0 built in
- **Power Consumption** 3.2W
- **Power Input** 11~13 Vdc
- **Weight (Net)** 0.65 Kg (1.43 lbs)
- **Battery** Rechargeable Li-ion smart battery, 7.4V, 1880mAh, 2S1P, 59x38x25mm

#### System Hardware

- **CPU** Marvell PXA270 624 MHz
- **Flash Memory** 1GB on board
- **Storage Memory** 256MB SDRAM on board
- **LAN** 1 x 10/100Base-T
- **Expansion** 1 x Micro SD slot  
1 x CompactFlash Slot
- **Storage** 1GB Flash ROM onboard
- **I/Os** 2 x RS-232  
2 x USB 1.1 (1 x USB A, 1 x Mini-USB B)  
1 x PS2 1.1  
1 x Mic-in, Line-out
- **Wireless LAN** 802.11b/g with built-in antenna
- **Bluetooth** Class 2, V1.2 built-in with integral antenna
- **GPS** u-blox LEA-5S Module for GPS and GALILEO receiver
- **GPRS** 3.5G/HSDPA for data transmission (option)

#### LCD Display

- **Display Type** VGA TFT LCD
- **Display Size** 3.7"
- **Max. Resolution** 640 x 480
- **Max. Colors** 262k
- **Luminance cd/m<sup>2</sup>** 100
- **Viewing Angle (H/V°)** 80/80
- **Backlight Life** 10,000 hrs
- **Contrast Ratio** 100:1

#### Touchscreen

- **Lifespan** 1 million touches at single point
- **Light Transmission** Above 75%
- **Resolution** Linearity
- **Type** 4-wire, analog resistive

#### Environment

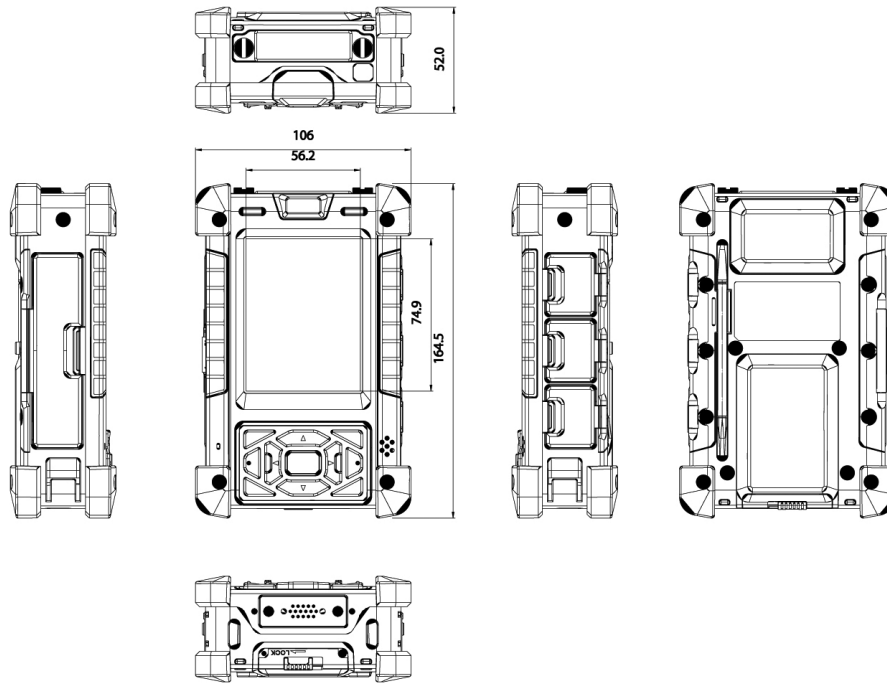
- **Humidity** 5% ~ 95% none-condensing
- **Ingress Protection** 6-side IP67 with 5 feet drop
- **Operating Temperature** -20 ~ 60° C (-4 ~ 140° F)
- **Storage Temperature** -40 ~ 70° C (-40 ~ 158° F)
- **Charging Temperature** 0 ~ 50° C (32 ~ 122° F)
- **Vibration Protection** 1.29 Grms (random, operating)

### Ordering Information

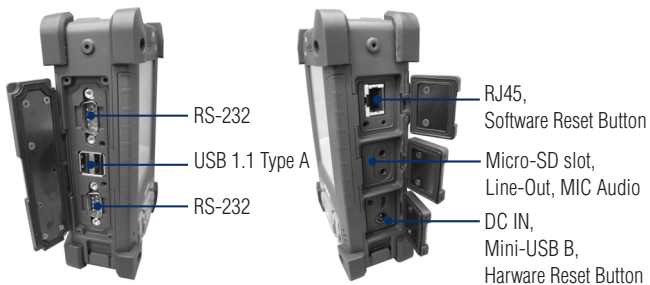
- **PWS-8033M-ROAE** 3.7" Ultra Rugged Mobile PC, PXA270, WLAN, GPS

## Dimensions

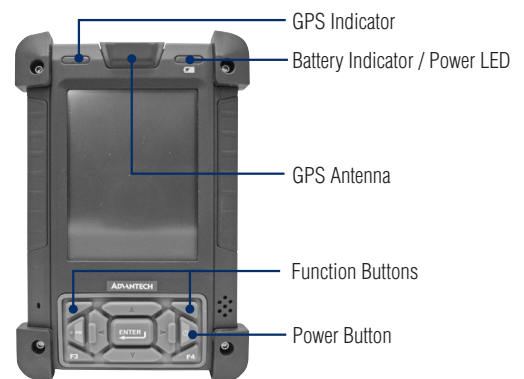
Unit: mm



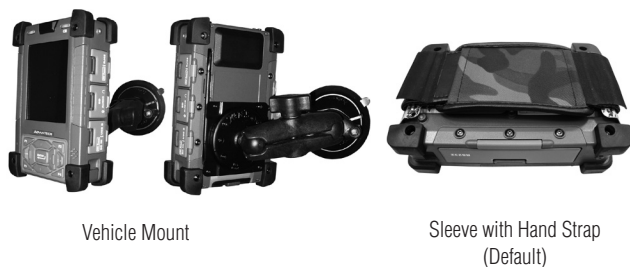
## Side Views



## Top View



## Accessories



## Waterproof/Lockable Ports

