

FPM-3120G

Industrial 12" SVGA Flat Panel Monitor with Direct-VGA Port



Features

- 12.1" SVGA TFT LCD with resolution up to 800 x 600
- Robust design with stainless steel chassis and aluminum front panel
- Hard anodic coating to prevent panel abrasion and acid corrosion
- Anti-reflective screen with tempered glass
- Supports stainless steel front panel (Customization)
- OSD control pad on front panel
- Supports industrial 24-48 V_{DC} power input (Optional)
- Supports transreflective LCD technology (Customization)
- Supports Panel, Wall, Desktop, Rack or VESA arm mounting
- NEMA4/IP65 Compliant
- RoHS Compliant

Introduction

FPM-3120G is 12-inch color TFT LCD flat panel monitor specially designed for industrial or public applications with limited installation space. With a new industrial design, mounting is extremely easy and fits most environments perfectly. The FPM-3120G features Direct-VGA signal transmissions to allow a regular VGA control card to be used in your system. Users can thus upgrade the display without making changes to the existing system. Its onscreen display function lets users adjust the image easily. The whole chassis is stainless steel and the front panel is made of aluminum with NEMA4/IP65 compliance.

Specifications

General

- **Button Controls** OSD (Onscreen Display) control pad on front panel
- **Certification** BSMI, CCC, CE, FCC-B
- **Dimension (W x H x D)** 312 x 244 x 44.6 mm (12.3" x 9.6" x 1.8")
- **Enclosure** Front panel : Aluminum with hard anodic coating, Rear cover : Stainless steel chassis
- **Mounting** Panel, wall, desktop, VESA arm, or 19" rackmount with optional mounting kit
- **Power Input** External 42 W power adapter, with AC 100 V ~ 240 V input and DC +12 V @ 3.5 A output
- **Video Port** VGA
- **Weight (Net)** 4.07 kg (8.975 lbs)

LCD Display

- **Display Type** SVGA TFT LCD (Toshiba)
- **Display Size** 12.1"
- **Max. Resolution** 800 x 600
- **Max. Color** 262K
- **Viewing Angle (H/V)°** 140, 120
- **Luminance (cd/m²)** 350
- **Backlight Life (hrs)** 50,000
- **Contrast Ratio** 200 : 1

Touchscreen (Optional)

- **Sensor** 3 M/AMT
- **Type** 8W Resistive
- **Interface** RS-232
- **Lifespan** 1 million touches at a single point (3 M)
10 million with a silicone rubber of R8 finger, writing rate is by 250g at 2 times/s (AMT)
- **Light Transmission** 79%±2 (3 M)
> 80% (AMT)
- **OS Support** (RS-232) Windows® 95/98/ME/2000/XP/CE/NT, Linux (USB) Linux, Windows CE/XP
- **Power Consumption** +5 V @ 100 mA
- **Touch Resolution** Linearity

Environment

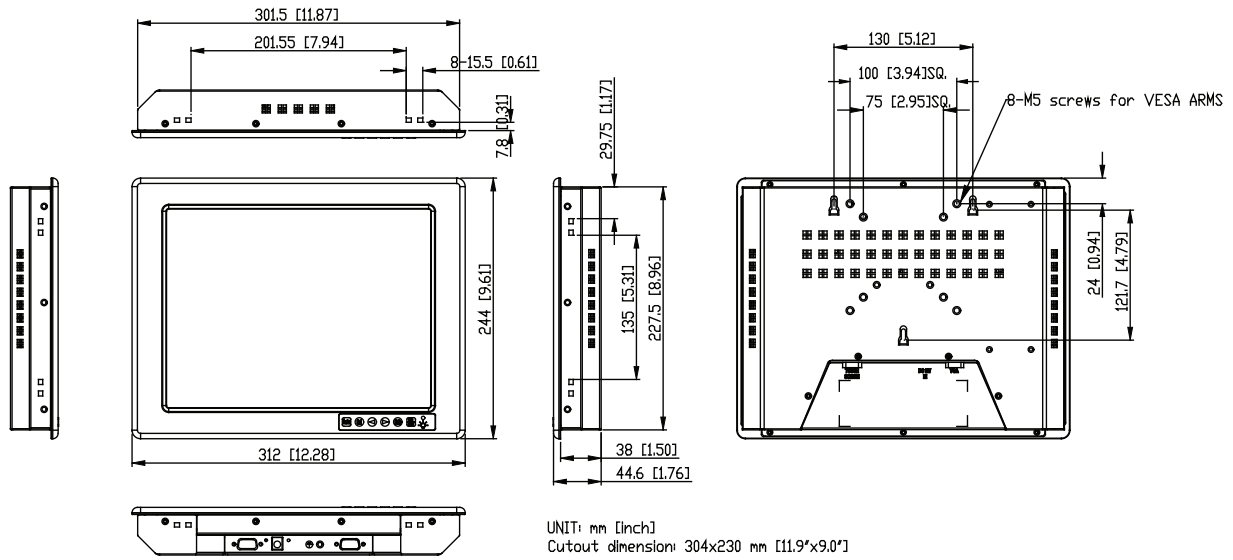
- **Operation Temperature** 0 ~ 50° C (32 ~ 122° F)
- **Storage Temperature** -20 ~ 60° C (-4 ~ 140° F)
- **Humidity (Storage)** 10 ~ 95% non-condensing
- **Waterproof** IEC529 IP65 (Front Panel)
- **Vibration** 5 ~ 500 Hz, 1 Grms (Operating, Random)

Ordering Information

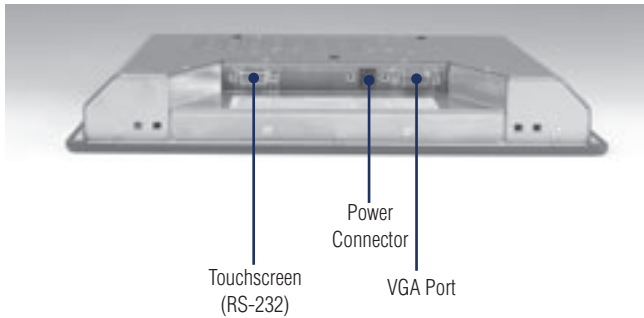
- **FPM-3120G-XAE** Industrial 12" SVGA Flat Panel Monitor
- **FPM-3120G-RAE** FPM-3120G-XAE with Resistive Touchscreen (RS-232 interface)
- **PWR-246E** Ind. DC to DC Converter w/24-48 V_{DC} Power Input

Dimensions

Unit: mm



I/O View



With Desktop Stand



Mounting with DC Source

